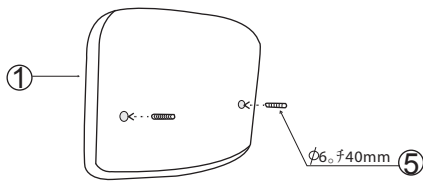


ASSEMBLY INSTRUCTION

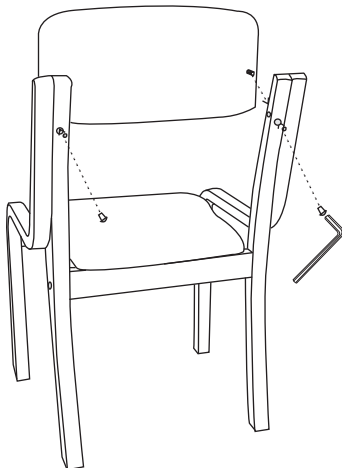
REMOVE ALL ITEMS FROM THE CARTON. CERIFY ALL PLECES BEFORE ASSEMBLY

Parts List

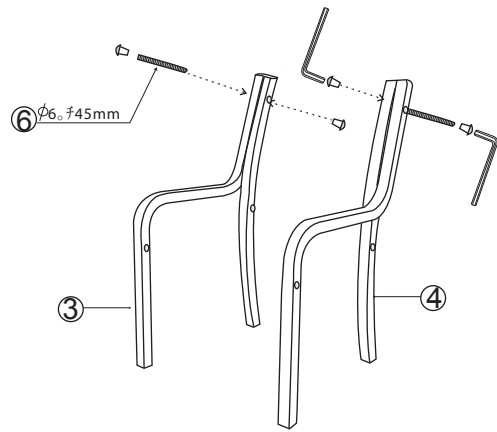
KEY	QTY	DESCRIPTION
1	1	BACKREST
2	1	SEAT FRAME
3	2	FRONT LEG
4	2	BACK LEG
5	2	SCREW $\phi 6. \text{f}40\text{mm}$
6	2	SCREW $\phi 6. \text{f}45\text{mm}$
7	4	SCREW $\phi 6. \text{f}70\text{mm}$



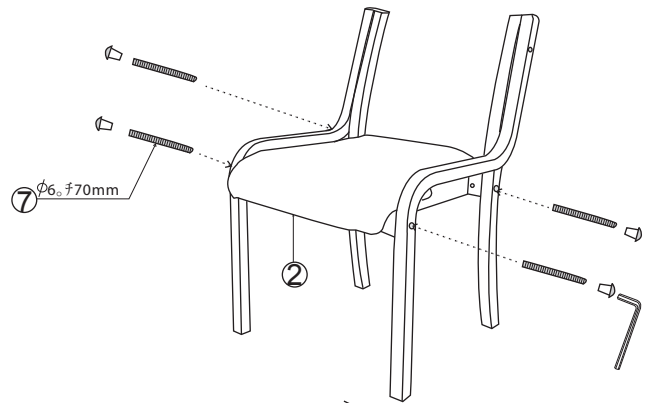
STEP3



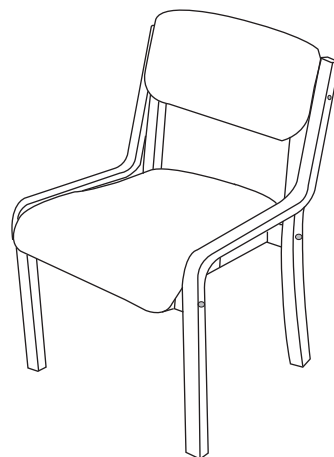
STEP4



STEP1



STEP2



WARNING:

- DO NOT STAND ON THIS CHAIR DO NOT USE THIS CHAIR AS STEP LADDER.
- USE THIS PRODUCT ONLY FOR SEATING ONE PERSON AT A TIME.
- DO NOT USE THIS CHAIR UNLESS ALL BOLTS, SCREWS AND KNOBS ARE FIRMLY SECURED.
- AT LEAST EVERY 4 MONTHS, CHECK ALL BOLTS, SCREWS AND KNOBS TO BE SURE THEY ARE TIGHT.
- IF PARTS ARE MISSING, BROKEN DAMAGED OR WORN, STOP USE OF THIS PRODUCT UNTIL REPAIRS ARE MADE, USING FACTORY AUTHORIZED PARTS.
- FAILURE TO FOLLOW THESE WARNINGS COULD RESULT IN SERIOUS INJURY.