

ASSEMBLY INSTRUCTION ES 470 SINGLE DRIVE

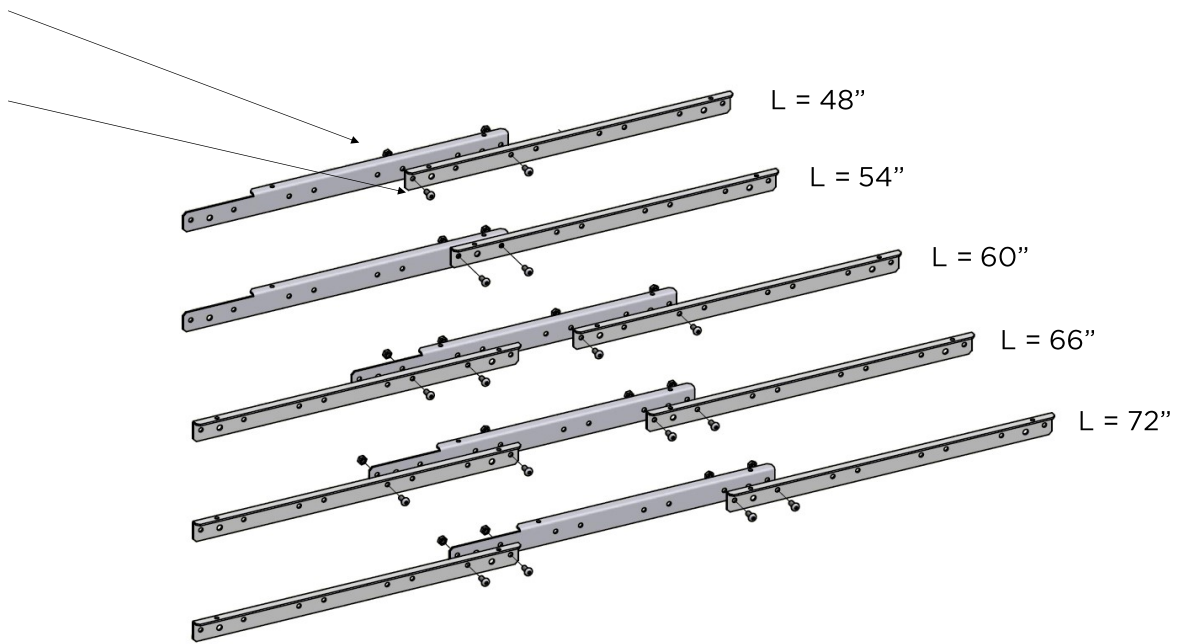
1.1



M8



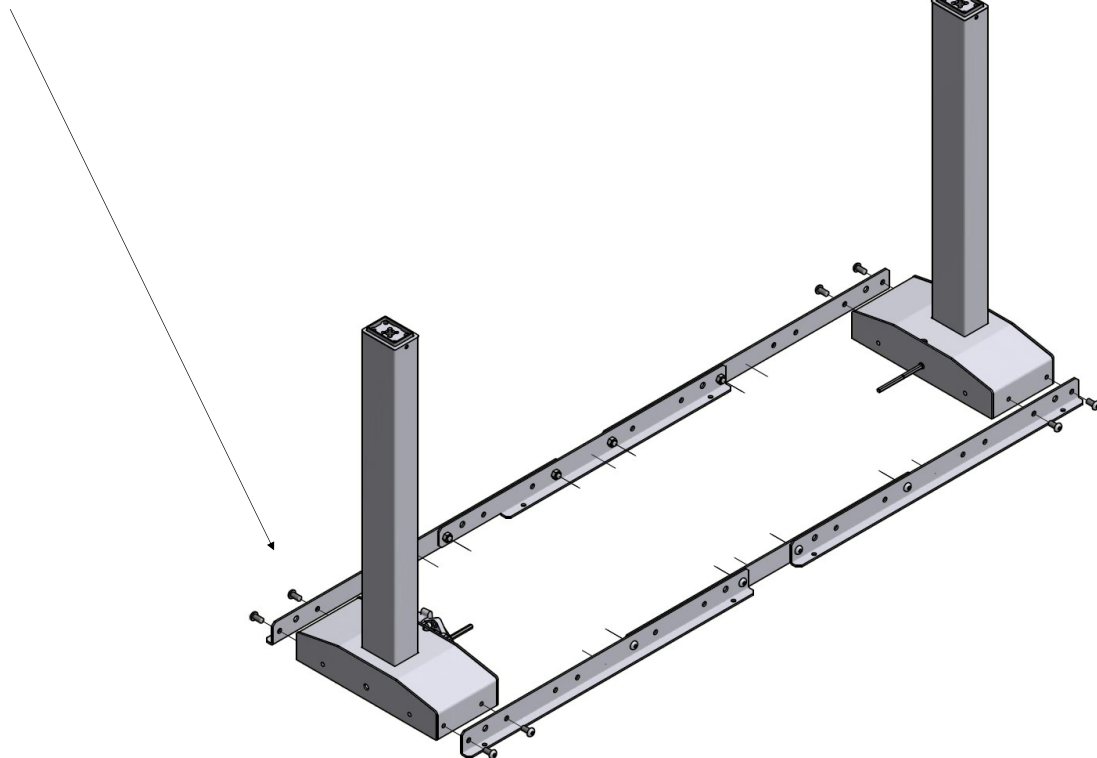
M8x16



1.2

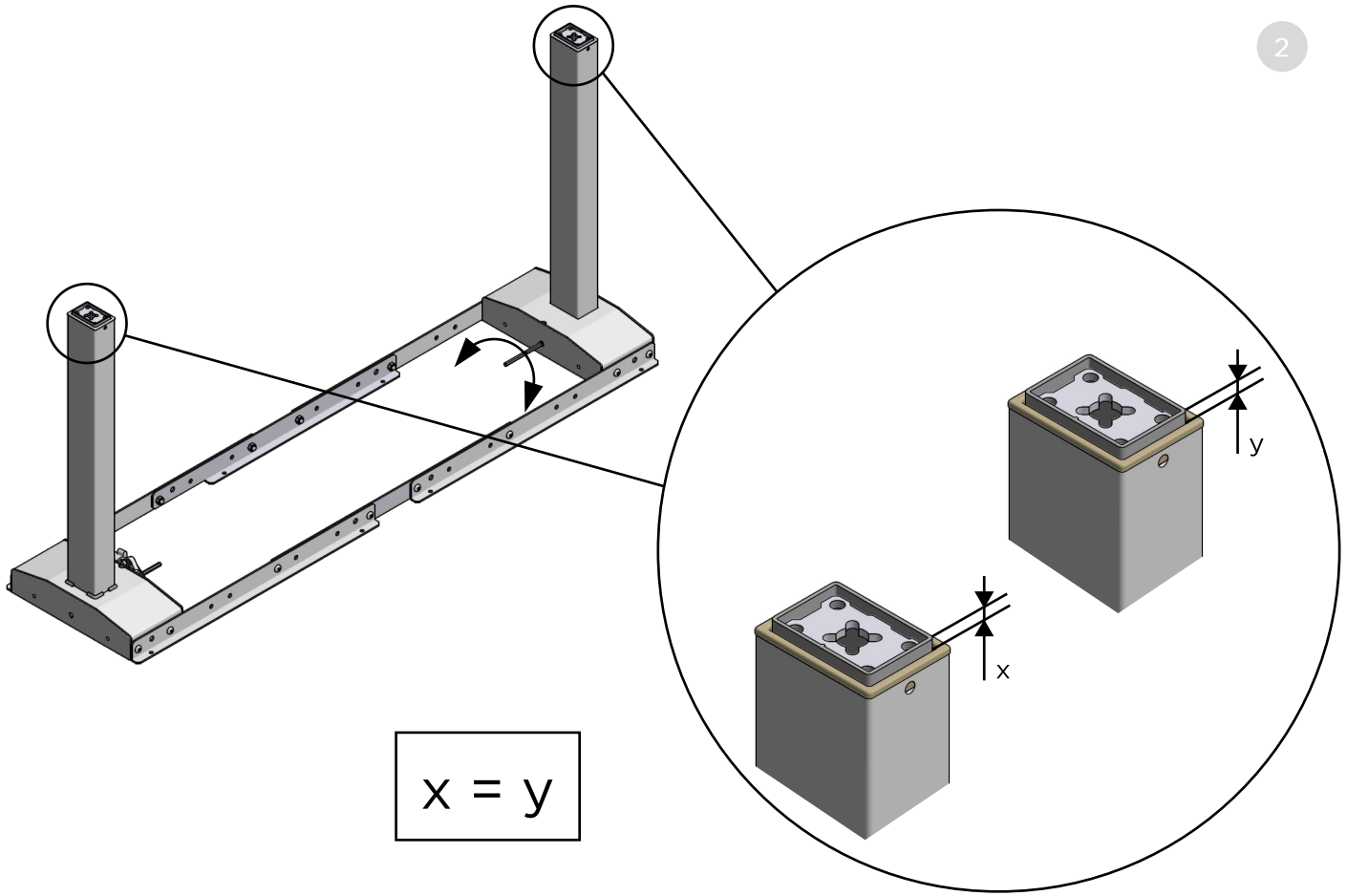


M8x16



ASSEMBLY INSTRUCTION ES 470 SINGLE DRIVE

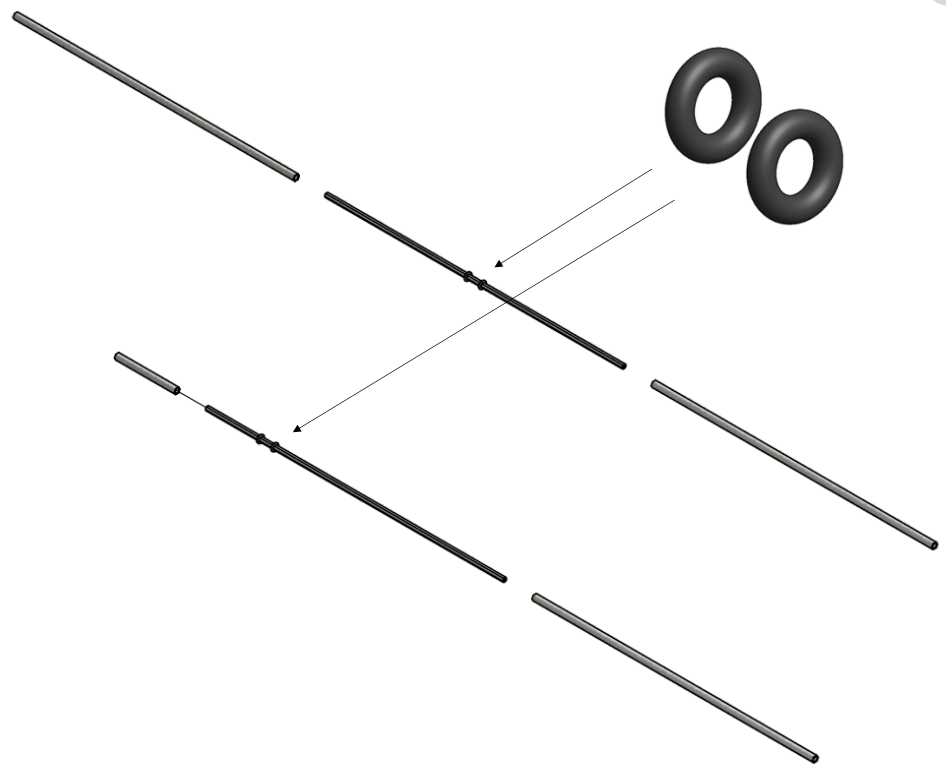
2



3.1

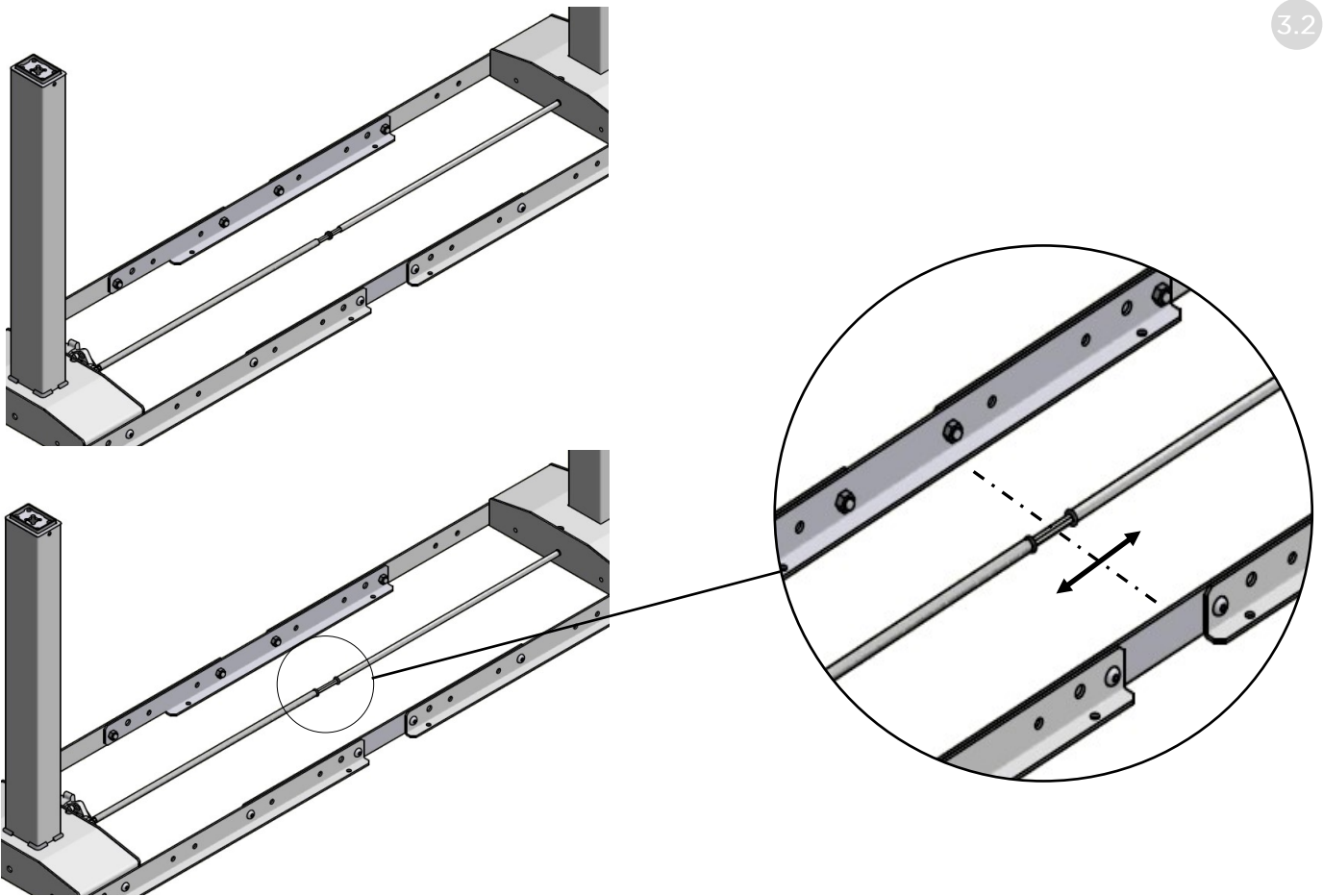
L = 60", 66", 72"

L = 48", 54"



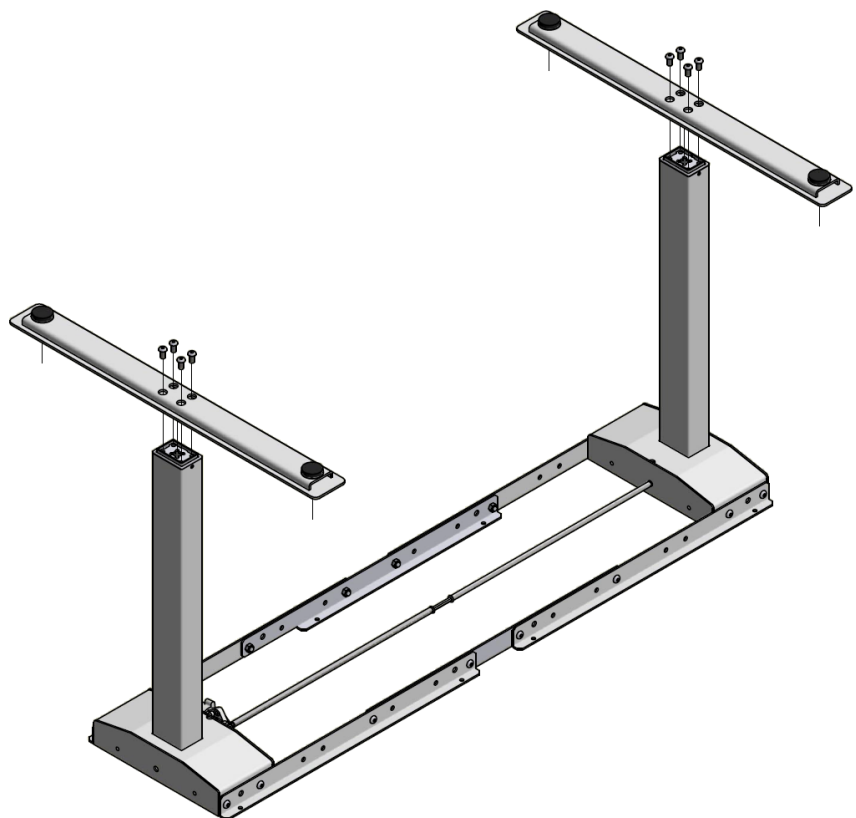
ASSEMBLY INSTRUCTION ES 470 SINGLE DRIVE

3.2



4

 M8x16



ASSEMBLY INSTRUCTION ES 470 SINGLE DRIVE

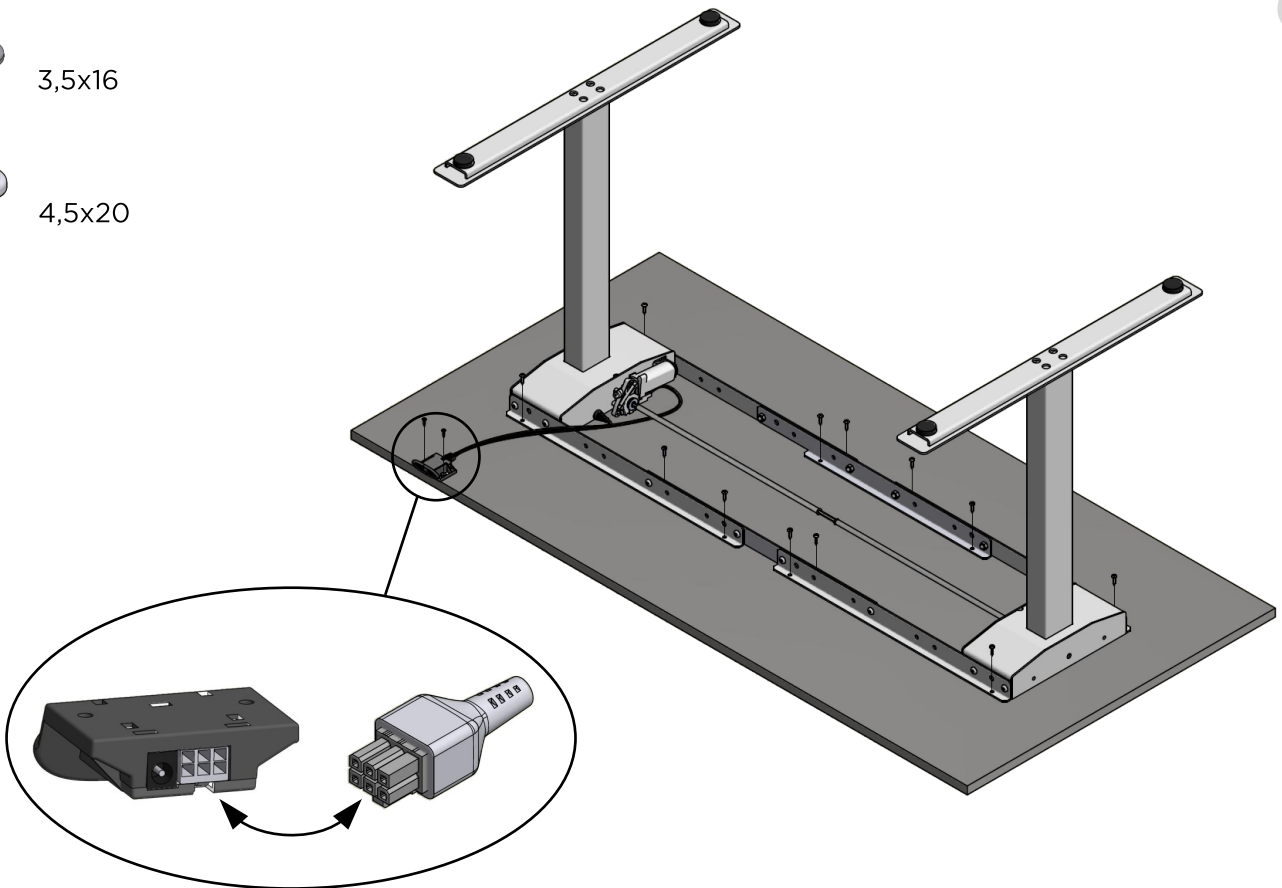
5



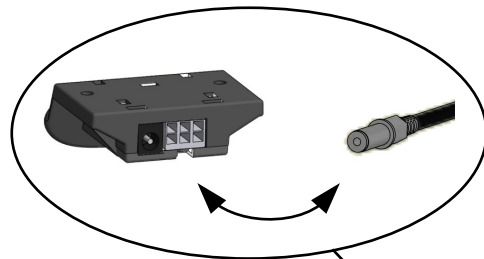
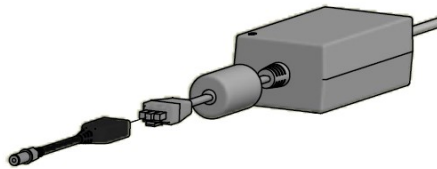
3,5x16



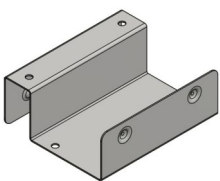
4,5x20



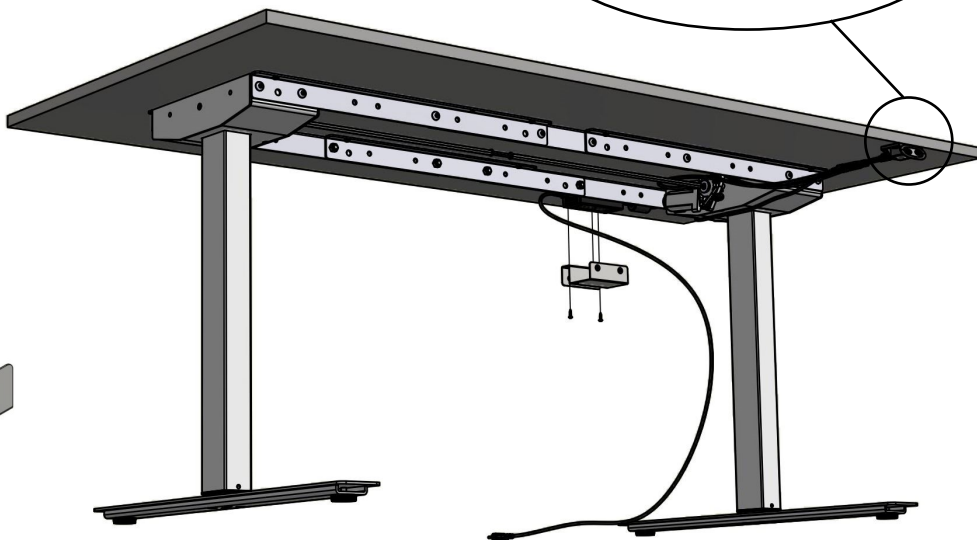
6



3,5x16



Power Supply holder



Turn the table around to standing position and plug the cable in.

Ready to use!

