

INSTRUCTIONS FOR USE

SAFELIFT AD30 / AP30



SAFELIFT®

Content

1.	Notification of safety precautions	3
1.1.	Warning devices.....	4
1.2.	Warning texts	4
1.3.	When reassembling the machine	5
1.4.	Requirements for personnel/warnings.....	5-6
1.5.	Manufacturer	7
1.6.	Marking.....	7
1.7.	Checks before starting	8
1.8.	Controls and preparation.....	8
1.9.	Raising of platform	8
1.10.	Lowering of platform	8
1.11.	Emergency stop	8
1.12.	Emergency lowering	8
1.13.	Transportation of the machine with a lifting crane	9
1.14.	Transportation of the machine with forklift.....	9
1.15.	Transportation of the machine by truck.....	9
1.16.	Blocking the platform in the raised position.....	10
1.17.	Hydraulic oil	10
1.18.	Battery maintenance.....	10-11
1.19.	Battery charge.....	11
1.20.	Inspection and maintenance intervals	12
1.21.	Technical data	13
2.	Overview, controls	14
2.1.	Indications on the control panel, Safelift AD30	15
3.	Declaration of conformity	16

Health and safety regulations

The operator manual contains instructions for the daily work with the equipment to be handled and used by the operator. The operator manual must always be available to the operator(s) working with the equipment.

It is important that:

- The operator manual and other applicable documents are retained throughout the life span of the equipment.
- The operator manual and other applicable documents are included as part of the equipment.
- This operator manual is forwarded to other users of the equipment.
- The operator manual is updated with any additions or changes to the equipment.
- The operator manual describes the methods used in the use of the equipment.

1. Notification of safety precautions

Before you start using the equipment and performing the maintenance or service on this equipment, please read the applicable parts of the instructions.

Take into account all signs stating Danger, Prohibited, Requirement and Notice that are mentioned in the manual.

Serious injury to persons and machine damage may occur if this information is not observed.

The machine equipment is intended to be used by an operator.

Consider all electrical equipment as being energized.

Consider all hoses and pipes as being pressurized.

For service and maintenance of the equipment/machine, make sure that the 230 V power supply is cut and that the main fuse is in the OFF position.

The service and maintenance may only be carried out by authorized service and maintenance personnel.

Follow the instructions for maximum load. See the sticker on the equipment and technical data.

1.1. Warning devices

The annual inspection of warning devices and protective devices must be carried out. This refers to the control of their function and status.

1.2. Warning texts

Text such as Danger, Warning, Caution and Note have the following meaning in this manual (see pictures below).



WARNING!

Ignoring this information will result in immediate danger to life.



PROHIBITED!

Prohibited action associated with danger of death or serious injury!



WARNING!

Correct use of the personal protective equipment or other means.



NOTE!

Information that requires special attention.

Machine safety

The machine is marked with a CE mark. This means that it is designed, manufactured and described in accordance with EU Machinery Directive 2006/42/EC (see also page 13).

1.3. When reassembling the machine

If the machine is being reassembled or supplemented with other parts that are not approved by the manufacturer, the CE marking will not apply for those parts that will change the machine's operation. Warning labels and CE markings on the machine must be clearly visible. If any part of the machine with warning label is replaced, the new warning labels must be placed in the same location as before. Damaged labels and CE markings must be replaced immediately. If the machine is reassembled or supplemented after approval from the manufacturer. In this case, these instructions must be immediately supplemented/adjusted with the necessary illustrations, photographs and texts.

1.4. Requirements for personnel and safety regulations

To avoid personal injury and machine damage, the operator and operating personnel will be instructed or trained in accordance with the manufacturer's instructions. The operator and operating personnel are only allowed to handle the parts they have been instructed or trained on.

All controls and buttons must only be operated with hands. In other words, these must never be activated by any other means unless otherwise specified. The operator must never leave the machine unattended. This will prevent injury of unauthorized persons.

- The machine may only be used by trained personnel, and may only be used when the user has read and understood the contents of the current user description.
- The machine may only be used for the predetermined purpose and only with the mounted protective devices. All applicable safety precautions will be taken into account.
- The daily maintenance work must only be carried out by trained personnel.
- The electrical work may only be carried out by qualified professionals.
- Work on live parts is not allowed.
- Rebuilding, repairs and modifications to the machine may only be carried out by complying with the applicable safety regulations.
- Only original spare parts may be used upon repairs.

1.4 Warnings



Read and understand all instructions and safety information before use

All personnel will have to carefully read, understand and observe all safety instructions, as well as the operating instructions in this manual before performing the operation or maintenance.



Tilting hazard

NEVER raise the platform or drive with raised platform in any other manner than on horizontal solid support.



Risk of collision

NEVER operate the machine before having checked that the area around the machine is free of obstacles or other hazards.



Risk of falling

NEVER climb, sit or stand on the platform rail.



Electricity

This machine is not isolated against electric current. It is therefore necessary to have a correct safety distance to the high-voltage conductors or other current carrying objects.

Noise

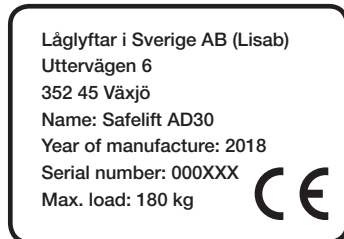
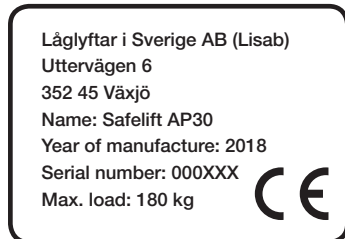
This machine has a noise level below 70dB (A) in operation.

1.5. Manufacturer/Importer

This machine is manufactured by:
Låglyftar i Sverige AB
Uttervägen 6
352 45 Växjö

1.6. Marking

This machine is supplied with the following nameplate:



Driving

1.7. Checks before starting



All safety regulations, operating instructions, labels and national safety instructions/requirements must be carefully read, understood and complied with. Perform the following daily checks before using the machine.

1. Check that the batteries are charged.
2. Make sure the charging cable (230 V) has been disconnected
3. Inspect the machine for any possible oil leakage.
4. Check the function of the wheel brakes on the swivel wheels.

1.8. Controls and preparation

Make sure the wheel brakes on the swivel wheels are locked (applies only to AP30).

1.9. Raising of platform

Press the upper control button on the inside of the mast.

1.10. Lowering of platform

Press the lower control button on the inside of the mast.

1.11. Emergency stop

The machine is equipped with an emergency stop function. Press the emergency stop button to turn off the machine. Rotate the emergency stop button clockwise to reactivate the machine.

1.12. Emergency lowering



WARNING!

If the platform can't be lowered, NEVER climb the mast. Keep a safe distance to the mast when the emergency lowering valve is being opened. Ask someone on the ground to turn on the emergency lowering button to lower the platform. The button for emergency lowering is placed on the main switch.

Transport of the machine

1.13. With a lifting crane

The lifting device may only be fastened to the intended lifting eyes that are screwed into the chassis (M10 x 4).

1.14. With forklift



WARNING!

Lifting with forklift is only for transport of the lift. Must never be used to increase the lifting capacity. Check the weight of the machine in the specifications and make sure the forklift truck has a sufficient lifting capacity to lift the machine. The arms of the forklift are placed under the machine from the side.

1.15. By truck

1. Do not operate the machine on the truck. Block the wheels with blocks.
2. Transport the lift in the lowered position.
3. Secure the machine on the truck.



NOTE!

Tightening of straps or chains may result in damage to the machine.

Maintenance



WARNING!

The service or maintenance on the machine must never be performed with raised platform without having secured the platform against unintentional lowering. Do not stand under the platform when this is being secured in the raised position or when it is removed.

1.16. Blocking the platform in raised position

a) Installation of ratchet block

1. Park the machine on a fixed horizontal surface.
2. Turn the main switch to "ON" position.
3. Raise the platform approx. 1.2 meters.
4. Place a solid ratchet block, 51mm x 100mm x 450mm between the second mast section and the chassis, just behind the mast.
5. Slowly lower the platform until the other mast section is in a resting position on the ratchet block.
6. Turn the main switch to OFF position.

b) Dismantling

1. Turn the key switch to "ON" position.
2. Raise the platform stepwise until the ratchet block can be removed.
3. Remove the ratchet block.
4. Lower the platform.

1.17. Hydraulic oil

The hydraulic oil tank is located under the steel covers on the chassis.



NOTE!

Never fill the hydraulic oil when the platform is not blocked.

Control of hydraulic oil

1. Ensure that the platform is blocked according to 1.15
2. Remove the covers on the chassis.
3. Unscrew the tank cap
4. Check the oil level
5. If necessary, fill it with the recommended oil type.

1.18. Maintenance of battery



WARNING!

Risk of explosive gas mixture. Avoid keeping batteries near open fire, sparks or smoke.



Battery acid is very corrosive. Always wear safety goggles when working with and near the batteries. Immediately rinse any spilled acid with clean water.

Consult a physician in case of contact with battery acid.

The old batteries must be replaced with batteries from Låglyftar i Sverige AB or with batteries approved by the manufacturer.

- Keep the poles and top of batteries clean.

1.19. Charging the batteries

Charge the batteries after each shift or more frequently if the charging level is low.



WARNING!

Charge the batteries in a ventilated area. Do not charge the batteries near open fire or where there is a risk of sparks being generated.



Do not disconnect the battery cables when the battery charger is running.

Keep the battery charger dry.

1. Connect a charging cable to a grounded 230 V power outlet

● Off ●/● On			
Yellow	Green	Green	Indication
●	●	●	Mains supply not connected
●	●	●	Charging complete
●	●	●	Main charging in progress
●	●	●	Trickle charging
●	●	●	Long charging time



NOTE! The charger must be connected with earth fault protection.

NOTE! Do NOT operate the machine when the charging is in progress.

1.20. Inspection and maintenance intervals

A complete inspection consists of periodic visual and functional checks along with minor adjustments in order to ensure the function. The daily inspection prevents the abnormal wear and prolongs the life of all machine systems. Inspection and maintenance will be performed at specified intervals. Inspection and maintenance must be carried out by trained personnel who are knowledgeable in terms of electrical and mechanical functions.



WARNING!

Before performing the daily maintenance, you will learn how the machine works and operates.



Always block the platform under the maintenance phase with a raised platform.

The daily maintenance list shows the service and maintenance points on the machine. Copy the list and use it when inspecting the machine.

This machine complies with CE requirements.
SS-EN- _280+A2_2009, SS-EN_280+A2_2009_AC_2010



1.21. Technical data

Max. total platform load	180 kg
Total number of people on the platform	1
Lifting time (2950 mm)	16 s
Weight	320 kg

Speed:

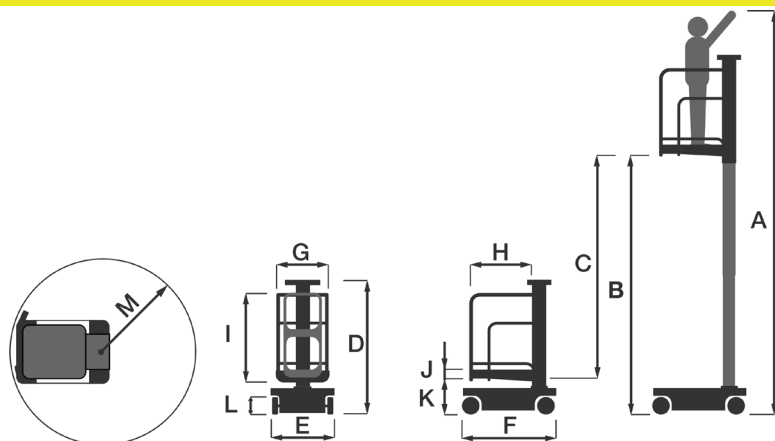
Lowered platform	4 km/h
Raised platform	2 km/h
Power source	2 pcs 75 Ah (C20) 64Ah (C5), 12 V-batteries, maintenance-free

System voltage	24 V
Battery charger	230 V, 50 Hz / 60 Hz
Lifting system	Single hydraulic cylinder
Wheels	200 mm diameter, polyurethane coating, leaves no marks

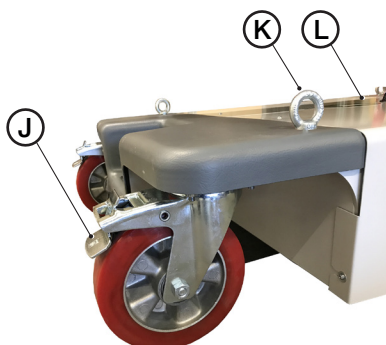
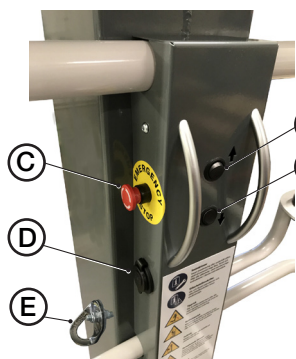
Parking brakes:

Safelift AP30	Manual foot brake
Safelift AD30	Electric

A	Working height	4950 mm
B	Platform height	2950 mm
C	Stroke length	2600 mm
D	Total height lift	1640 mm
E	Total width lift	760 mm
F	Total length lift	1200 mm
G	Width of platform	530 mm
H	Length of platform	760 mm
I	Height of platform rack	1100 mm
J	Height of skirting board	150 mm
K	Height to platform floor	350 mm
L	Wheel diameter	200 mm
M	Turning radius	1200 mm

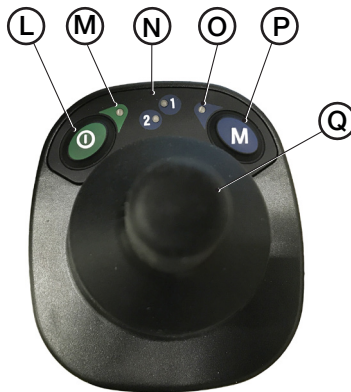


2.0. Overview, controls



- A Raising of basket
- B Lowering of basket
- C Emergency stop
- D USB socket 12V
- E Anchorage safety harness
- F Main switch 24V
- G Charging socket
- H Button for emergency lowering
- I Connection/disconnection of operation - Safelift AD30
- J Lockable wheels - Safelift AD30 also has automatic brake on the wheels
- K Lifting eyes - For anchoring of lifting (Additional equipment)
- L Emergency lowering by pressing the cap's sticker

2.1. Indications on the control panel Safelift AD30



- L On/Off drive circuit
- M On/Off-indicator, driving
- N Control panel operation – Safelift AD30
- O Low/high speed indicator
- P Mode – speed range control high/low
- Q Joystick for driving



1 – Battery indicator

2 – Mode indication

- Solid Red – Low battery charge
- Solid Yellow – Medium battery charge
- Solid Green – Fully charged
- Flashing Red – Battery empty, needs to be charged
- Flashing Green – Overvoltage
- Solid Green – Speed mode 1
- Solid Yellow – Speed mode 2
- Flashing Red - Error indication

3.0. Declaration of conformity CE-marking

SAFELIFT[△]

Declaration of conformity



Manufacturer: Låglyftar i Sverige AB
Uttervägen 6
S-352 45 Växjö
SWEDEN

Låglyftar i Sverige AB, VAT-no: SE 556820966101, declares that the following products:

Safelift AD30 and Safelift AP30

Serial number: 100XXX

Year of manufacture: 20.....

is manufactured in accordance with the following product directive:

2006/42/EG; 2014/30/EU; 2014/35/EG

and in accordance with the following harmonized standards:
SIS-ISO/TR 14121-2:2007; SS-EN 60204-1; SS-EN ISO 13849-2:2008; SS-EN ISO14121-1:2007; SS-EN ISO 14122-4:2005; SS-EN ISO 7731:2005; SS-EN-ISO 121001; SS-EN-ISO12100-2; SS-EN280:2013.

Växjö

Bo Arrhén
CEO

Låglyftar i Sverige AB
Uttervägen 6
S-352 45 Växjö
SWEDEN

VAT-no:
EN 556820966101

Notes

.....
.....
.....
.....
.....
.....
.....
.....
.....
.....
.....
.....
.....
.....
.....
.....
.....
.....
.....
.....
.....
.....
.....
.....

Notes

.....

.....

.....

.....

.....

.....

.....

.....

.....

.....

.....

.....

.....

.....

.....

.....

.....

.....

.....

.....

.....

.....

.....



SAFELIFT[®]

Låglyftar i Sverige AB, Uttervägen 6, 352 45 Växjö

www.safelift.se, info@safelift.se