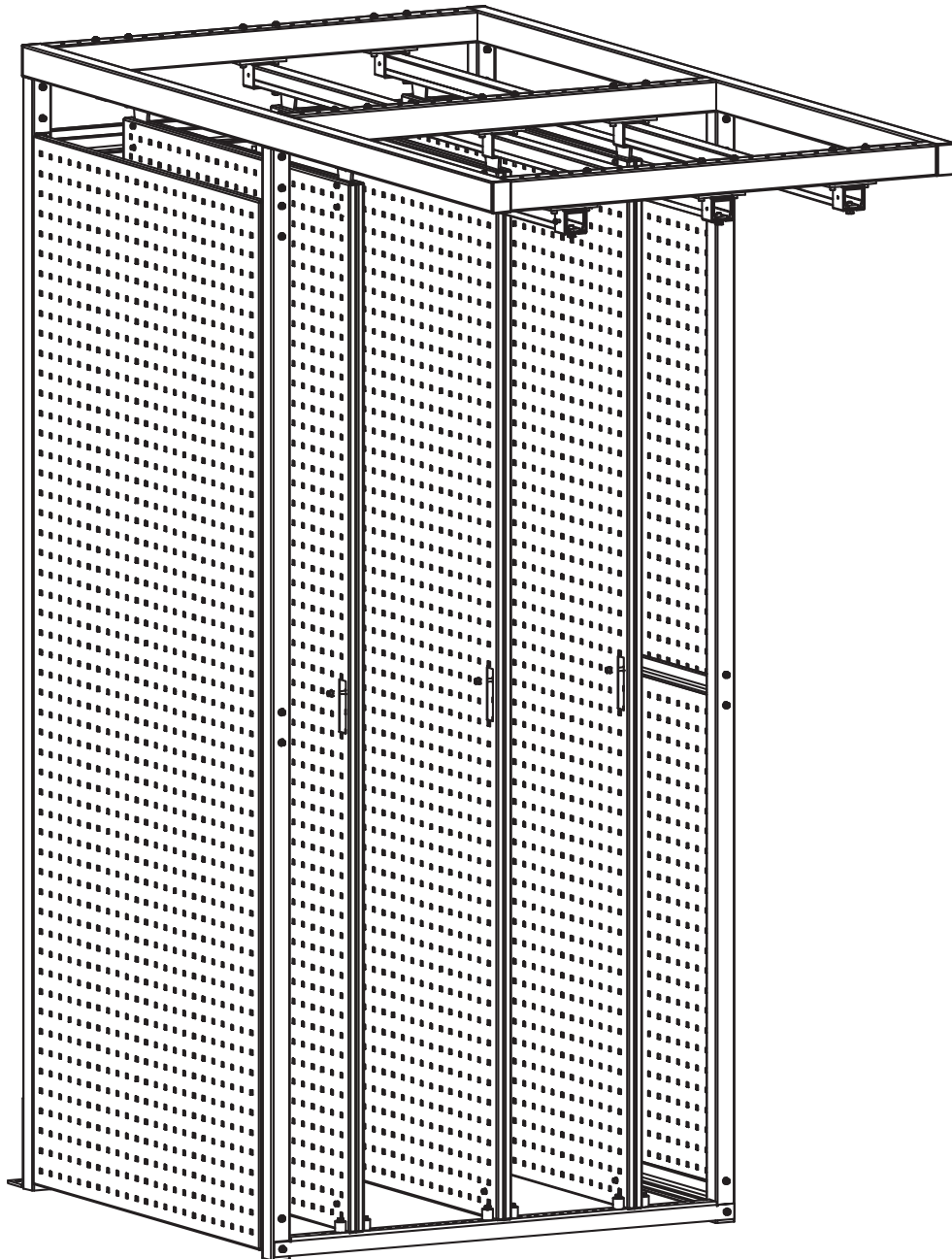
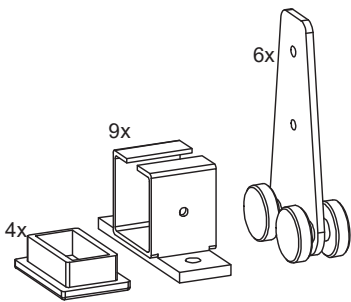
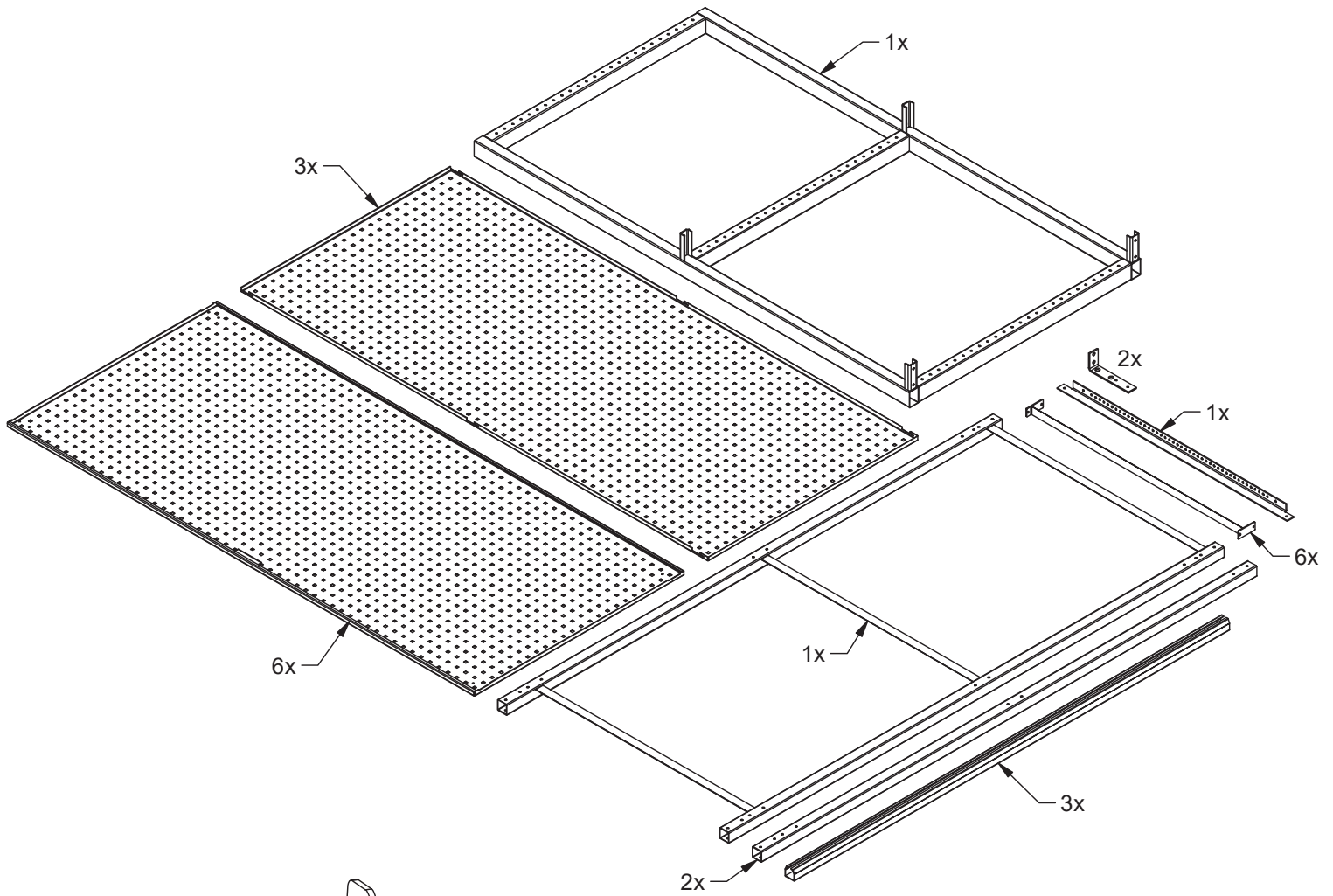

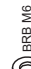
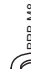


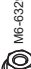










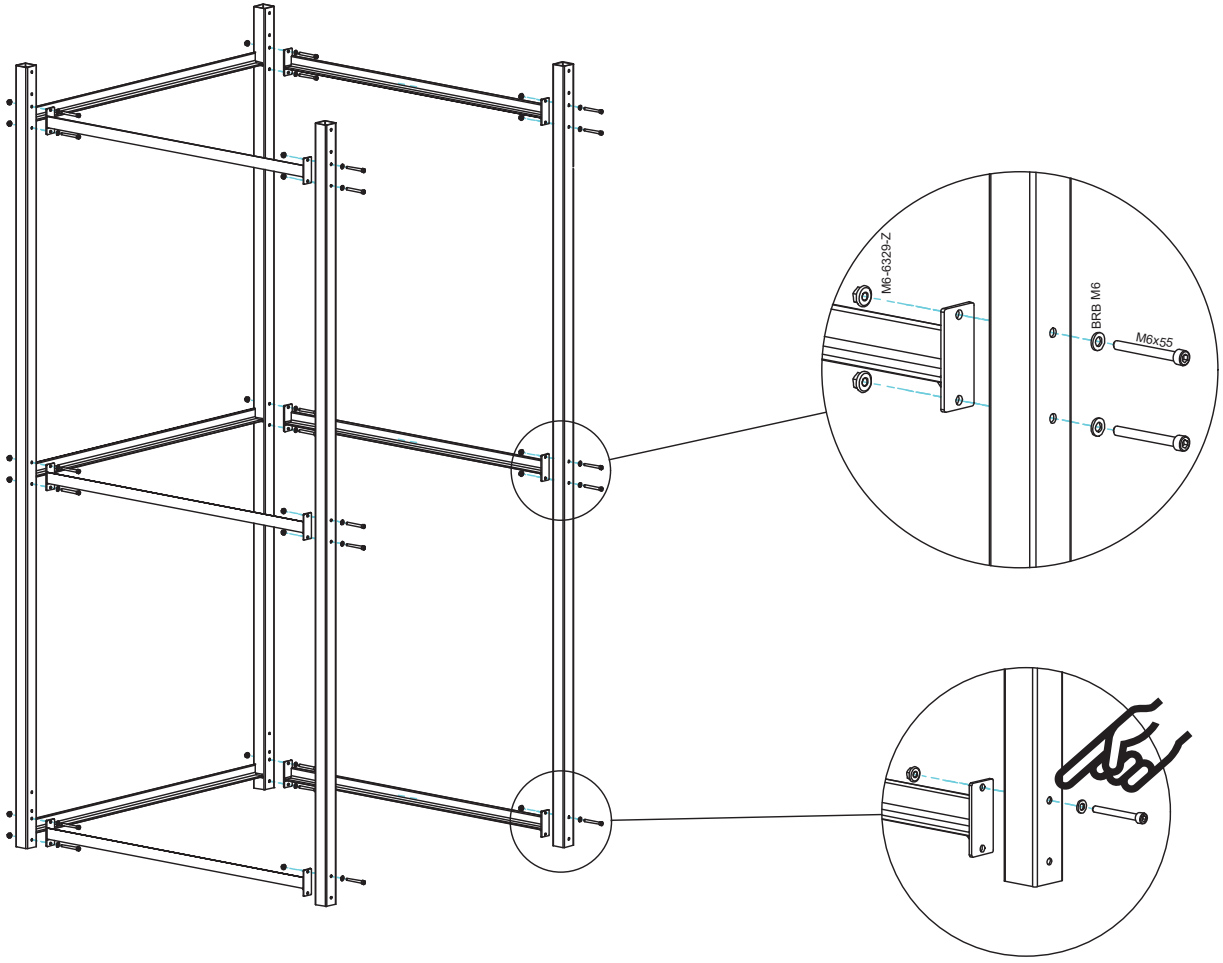
5-583-100 Compact Compartment



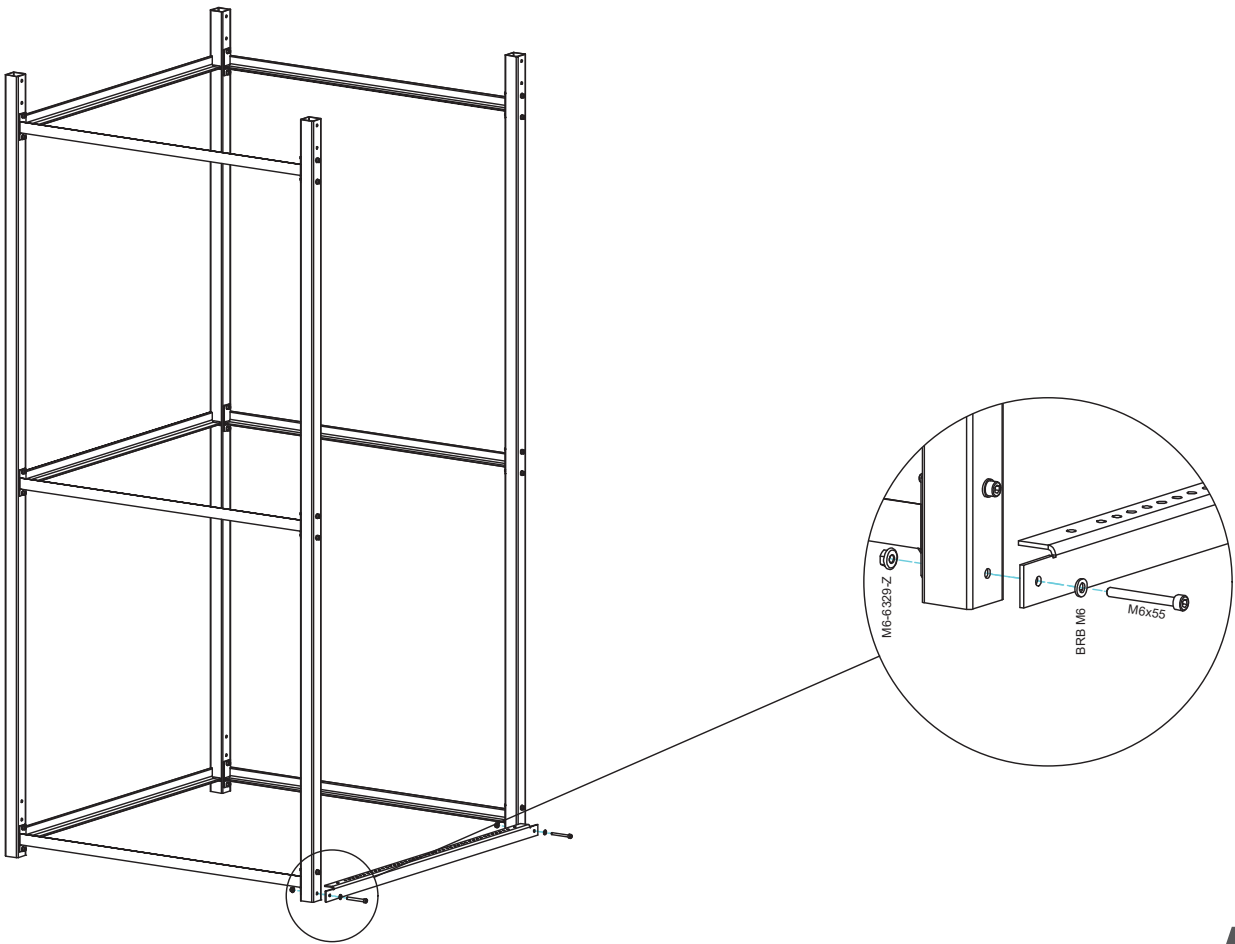


- | | | | | | | | | | | | | | |
|---|---|---|---|---|---|---|---|---|---|--|---|---|---|
|  |  |  |  |  |  |  |  |  |  |  |  |  |  |
| 18x | 63x | 6x | 3x | 18x | 60x | 6x | 6x | 18x | 3x | 36x | 18x | 6x | 6x |

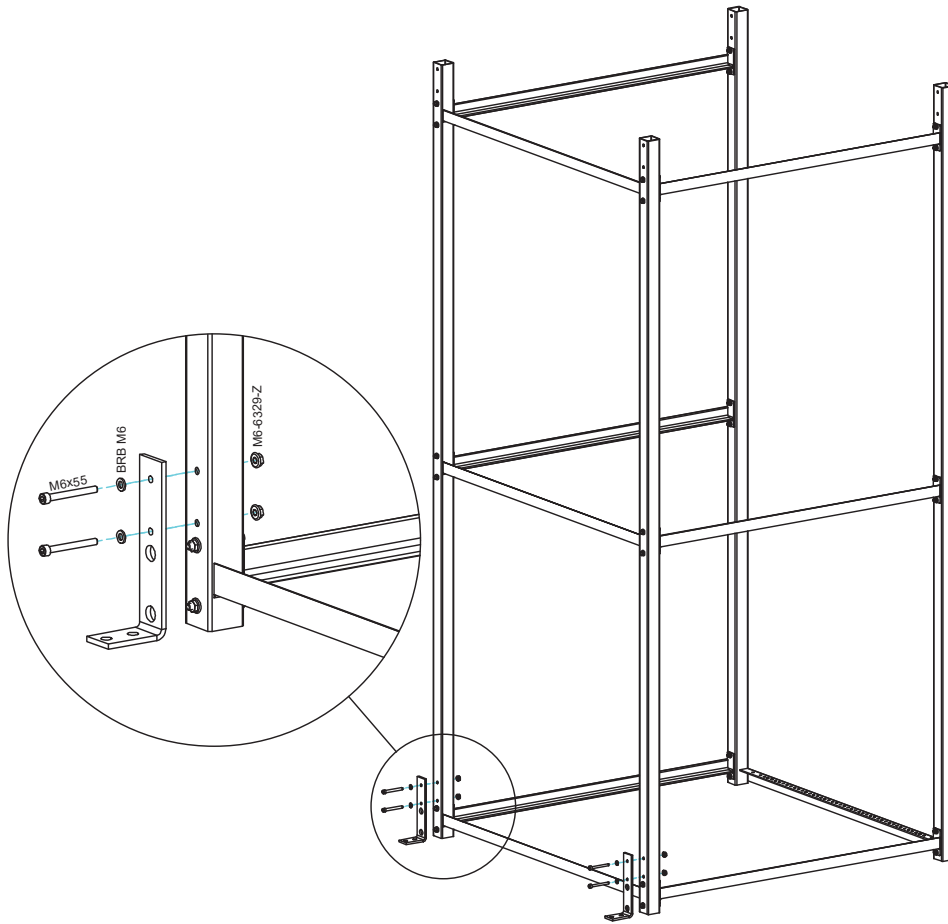
1



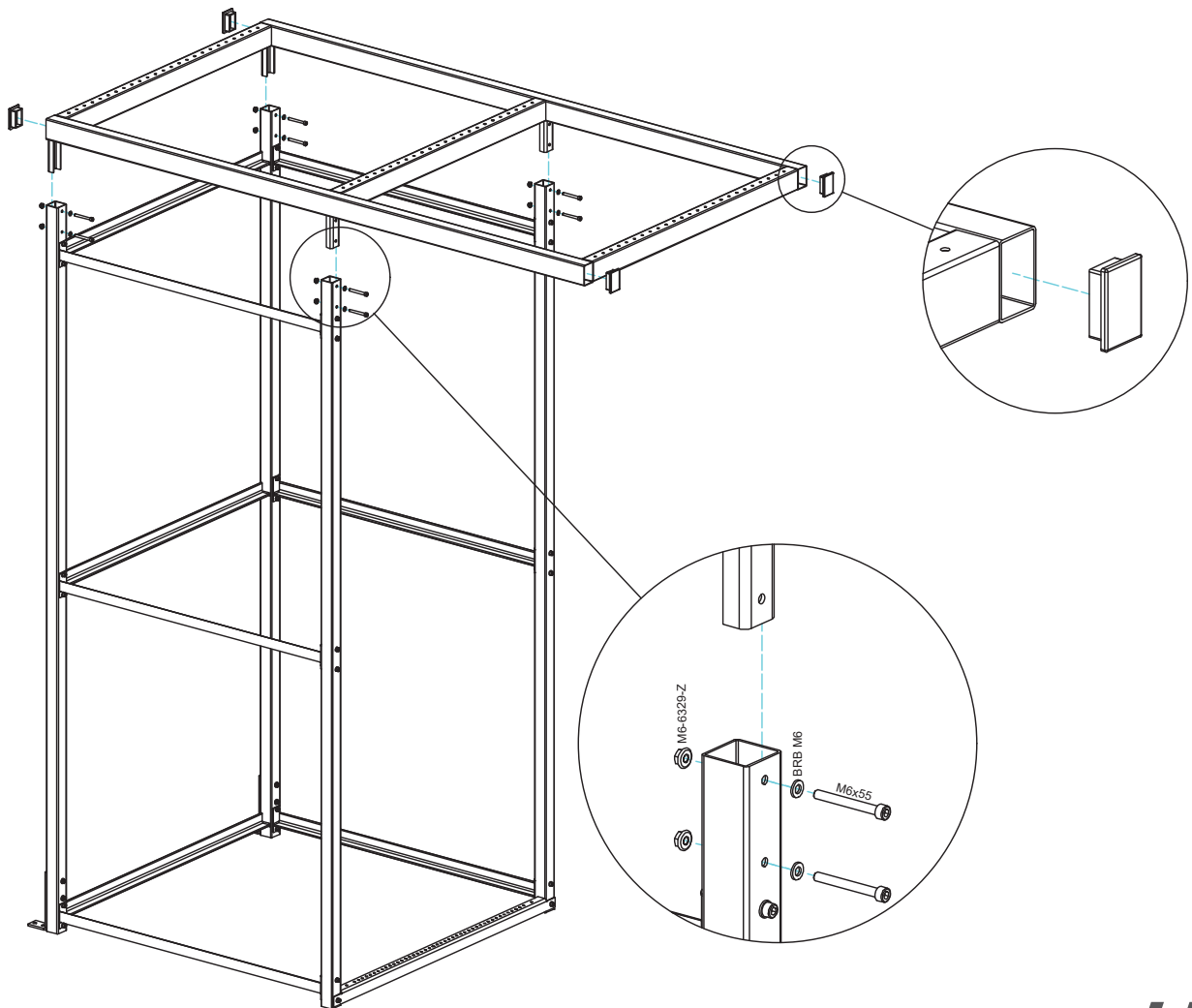
2



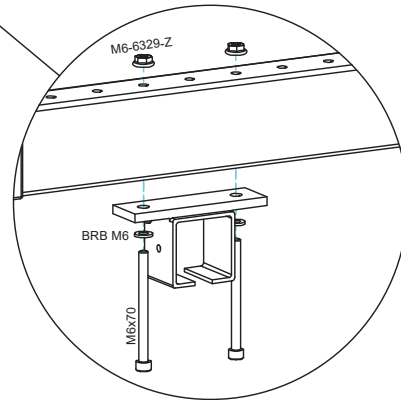
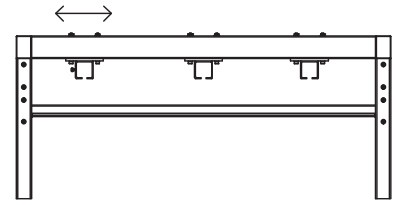
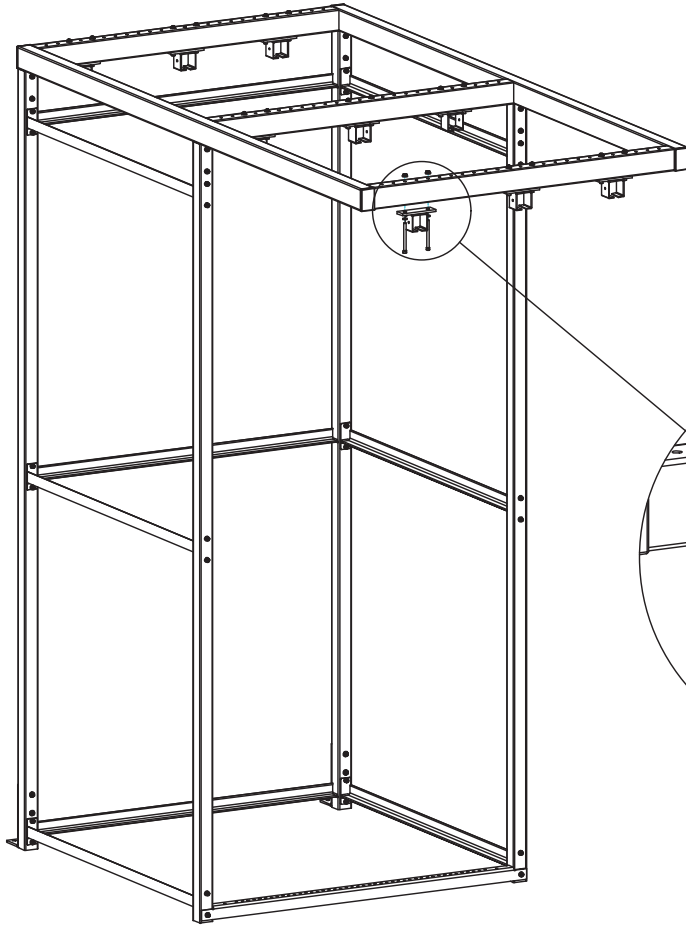
3



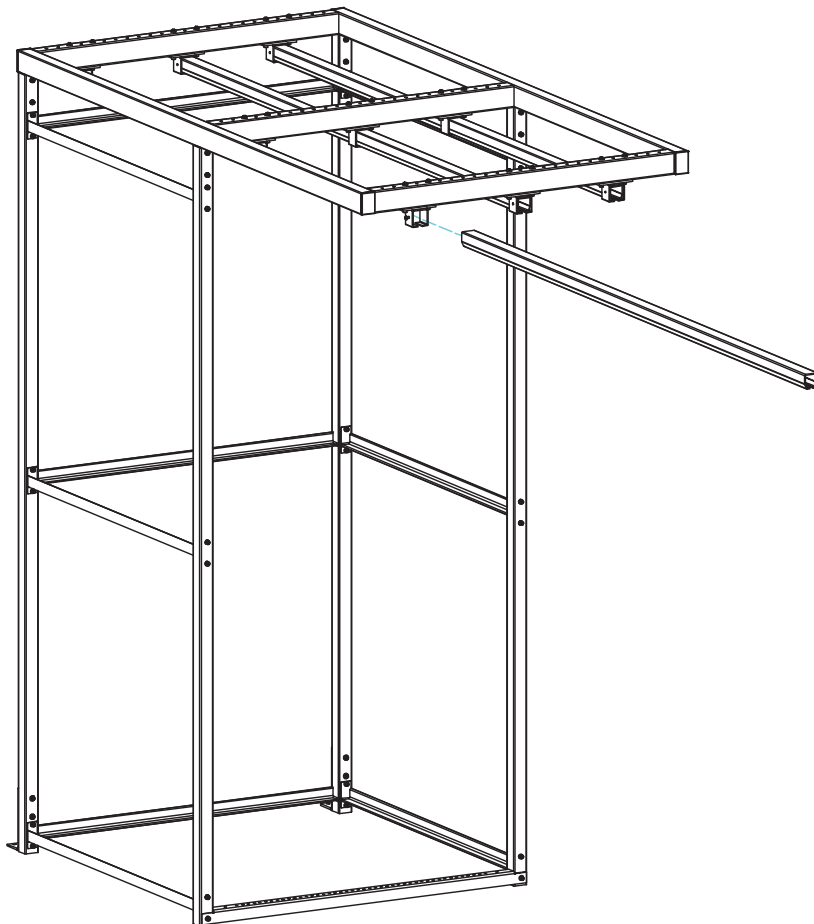
4



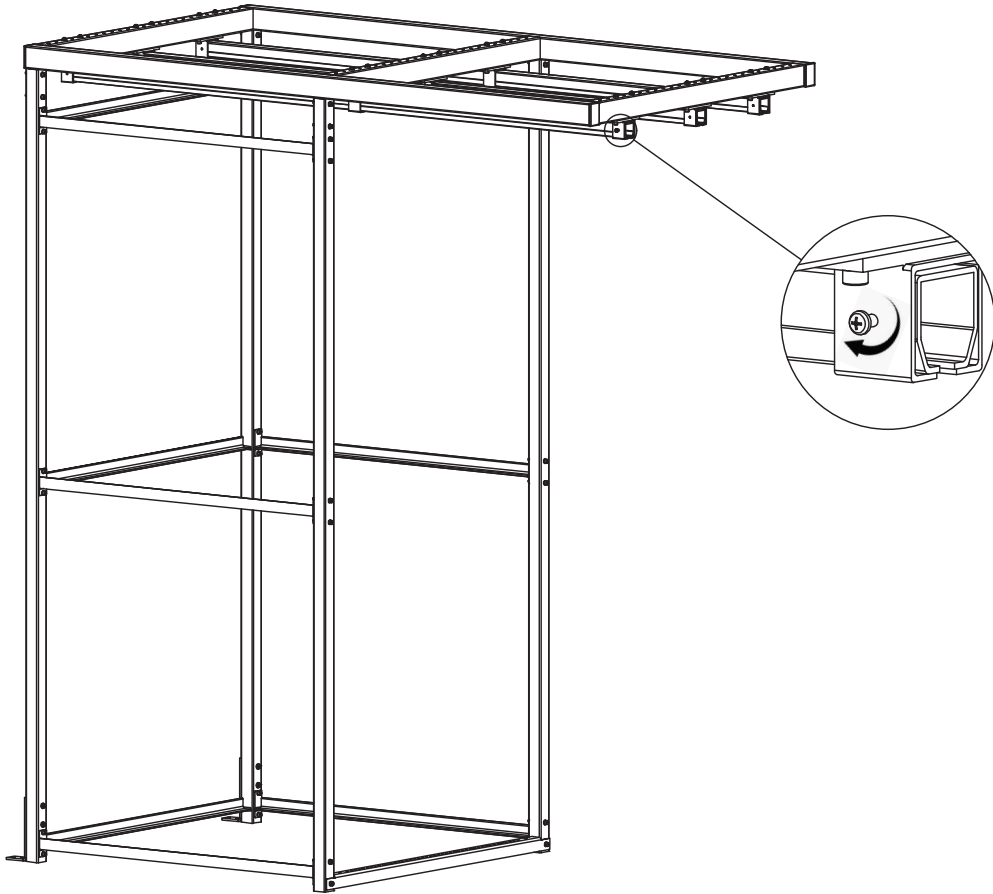
5



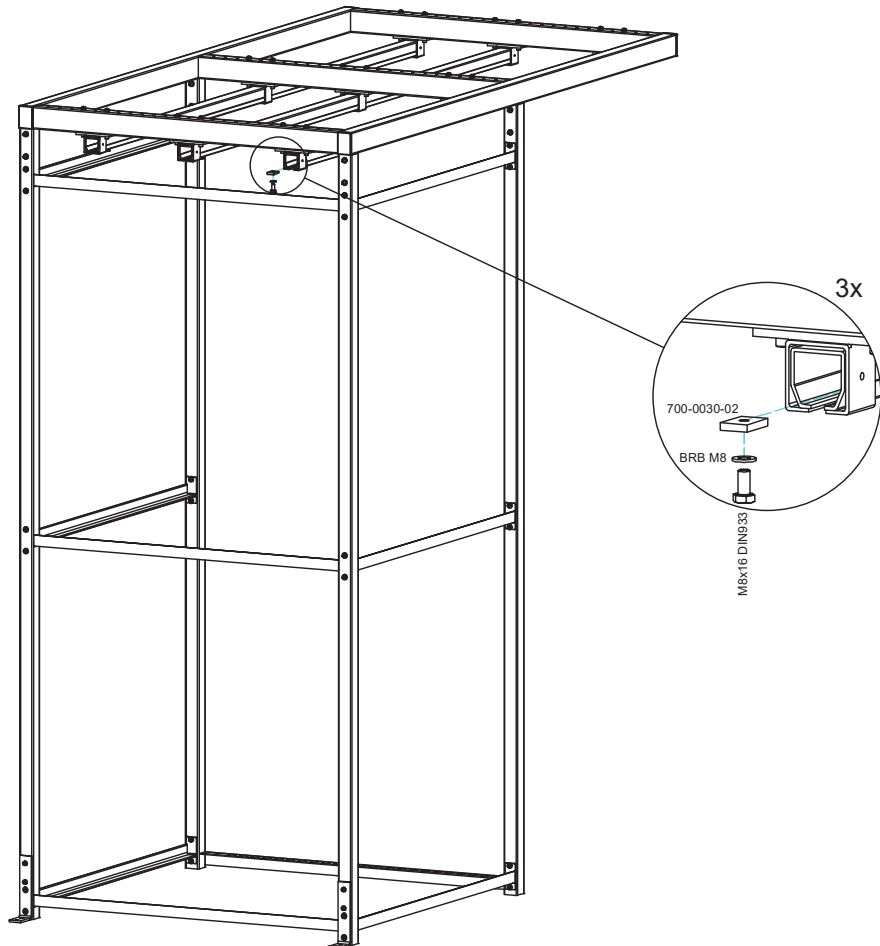
6

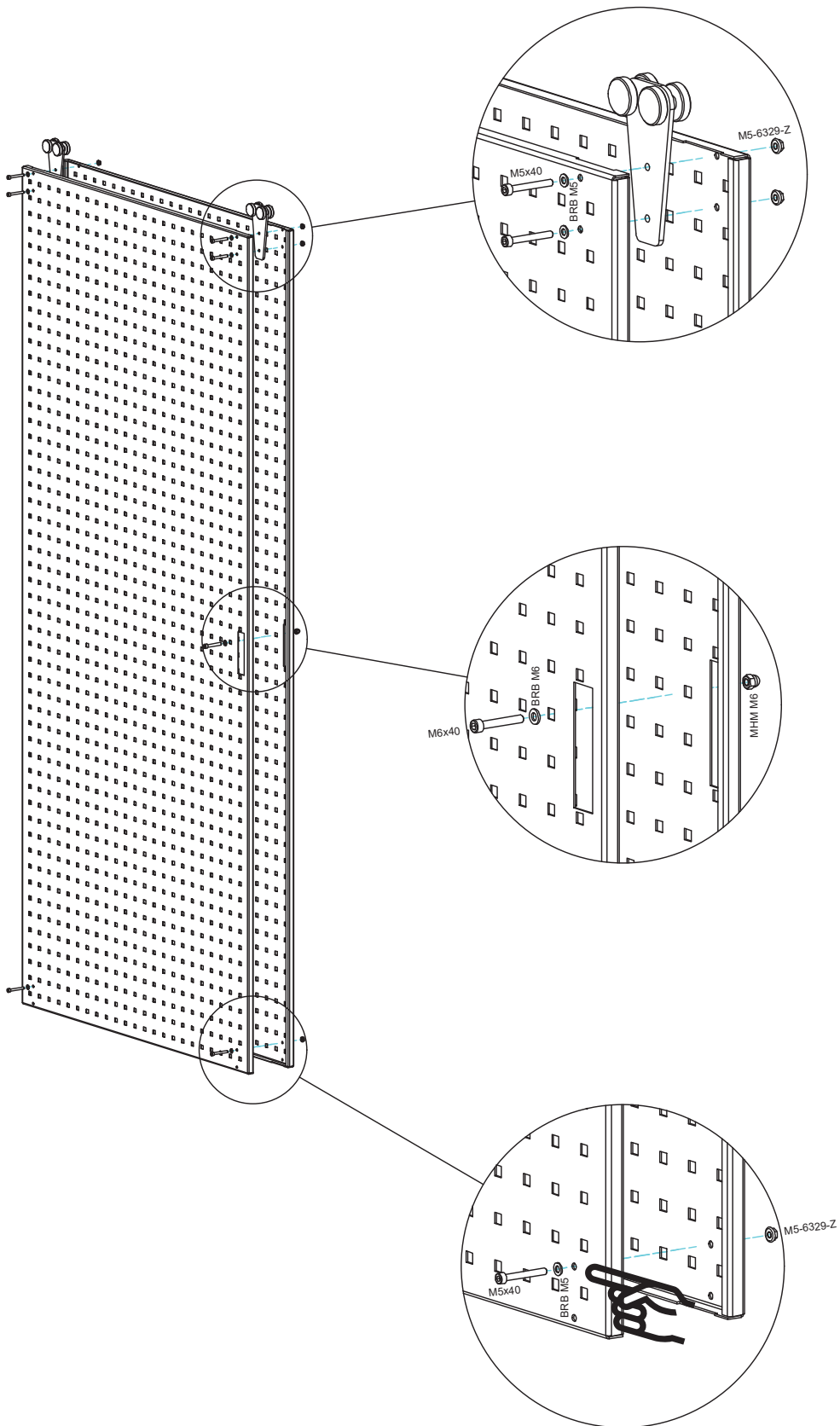


7

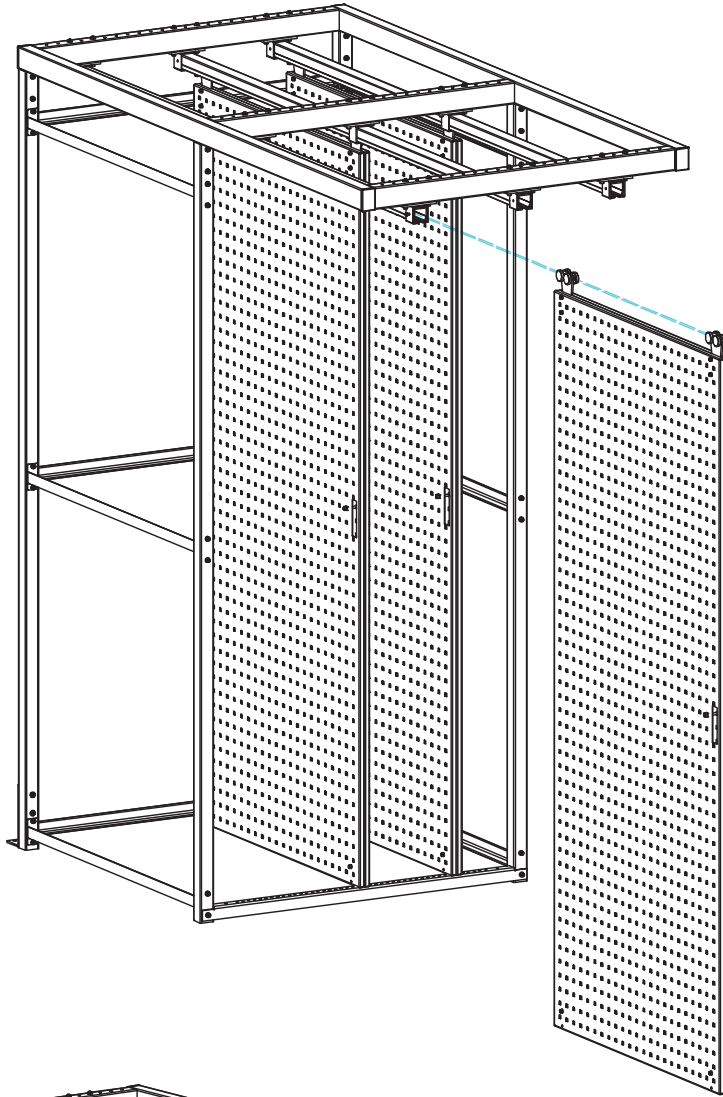


8





10



11

